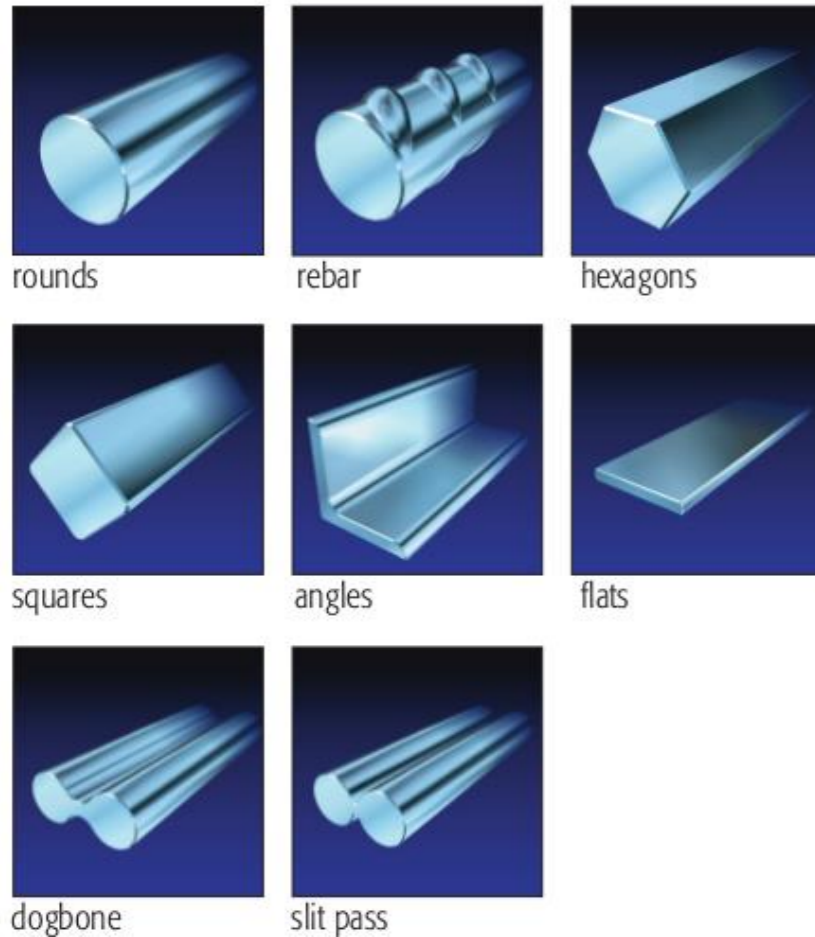


Hybrid **C**ast **C**arbide combines the high wear resistance of a Tungsten Carbide Ring with the toughness of a cast steel body around it.

- Suitable for Duo and Cantilever stands.
- Tungsten Carbide rings are available with different binder contents and compositions such as:
 - 30% Co or CoNiCr
 - 25% Co or CoNiCr
 - More available

HCC rolls and rings are perfect tools for manufacturing various light shapes and sizes like:



Locations of our world wide customers



- **Kark** products are used in many countries
- **Kark** production facilities



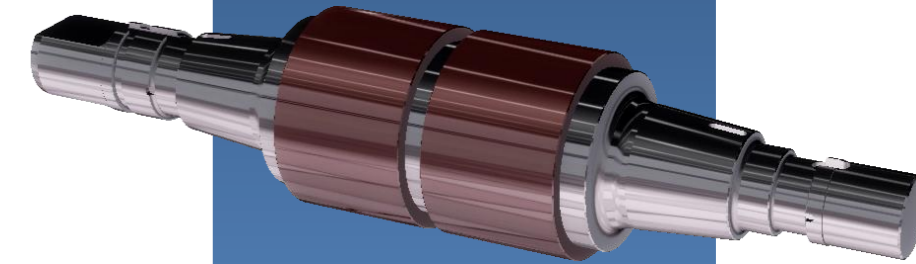
KARK GmbH
 Cuxhavener Strasse 60 a+b
 21149 Hamburg
 Germany
 phone +49-40-797 004-40
 fax +49-40-797 004-50

www.kark.de
 sales@kark.de

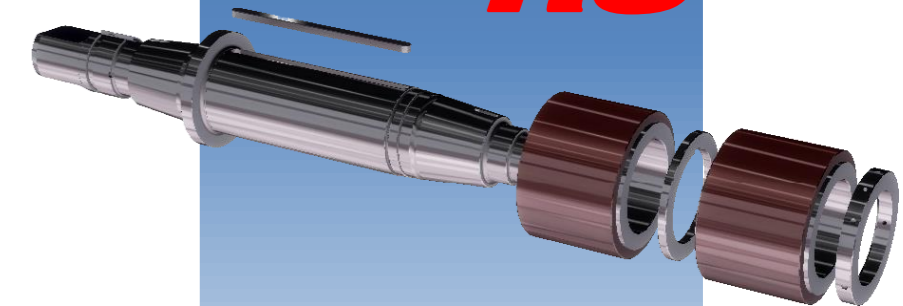


HCC

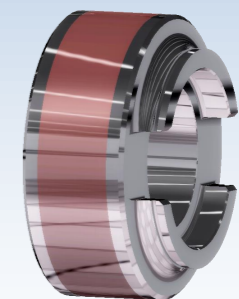
Roll



RS

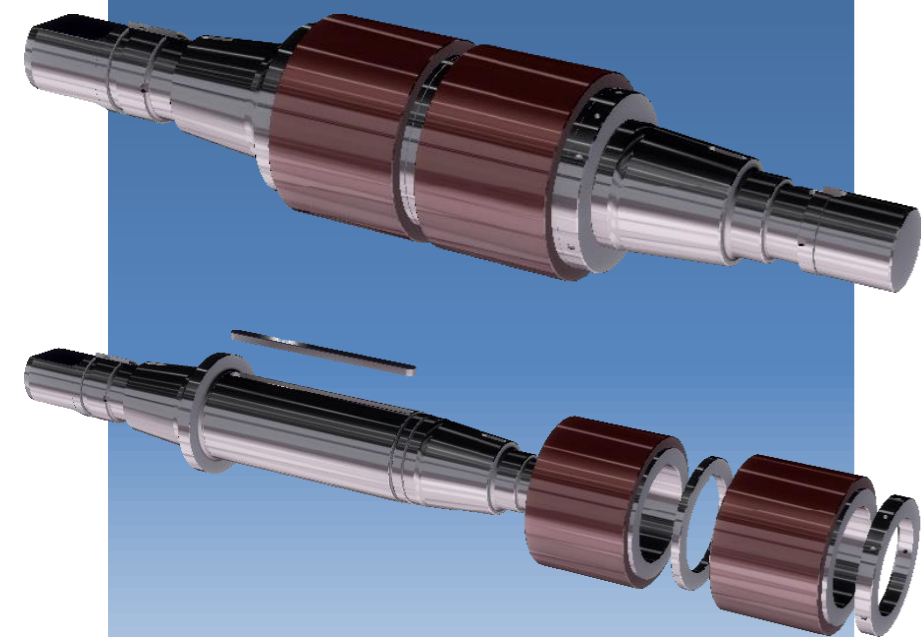


Ring



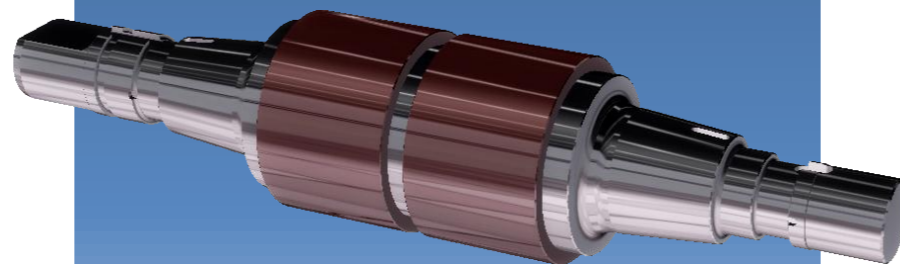
KARK

HCCRS



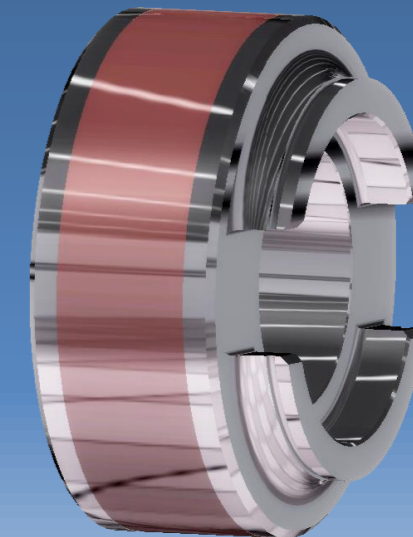
- High torques
- Re-usable
- Different binder contents and compositions available

HCCRoll



- No clamping system
- Highest torques and forces
- More usable barrel length
- Different binder contents and compositions available

HCCRing



- For Cantilever Stands
- Replacement for existing composite rings
- Various Shapes Available
- Different binder contents and compositions available